



1890 Swarthmore Avenue, PO Box 2020, Lakewood, NJ 08701
 Phone: 800-526-3694, 732-363-4700, Fax: 732-364-8110
 www.toplineplumbing.com

PROJECT NAME: _____

LOCATION: _____

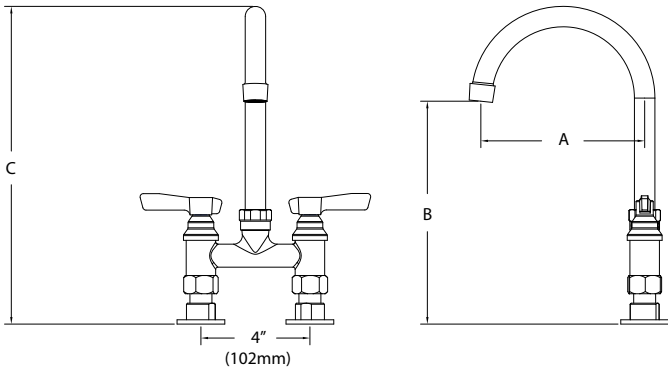
SPECIFIER ITEM NO. _____ **QTY:** _____

TOP-LINE PART NO. _____

TOP-LINE® Low Lead 4" OC Deck Mount
 Faucet with Swivel Gooseneck Spout,
 QuarterTurn Ceramic Valves and Lever Handles

TLL57-410x-SE1 Series

- TLL57-4100-SE1 3" Spout
- TLL57-4101-SE1 8" Spout
- TLL57-4102-SE1 6" Spout



Dimensions shown in inches (mm) are for reference only and are subject to change.

1-1/8" (29mm) holes for deck are recommended to accommodate 1/2" supply nipples.
 1/2" NPSM Male Inlets
 Operating Temperature: 40-180°F (5-83°C)
 Operating Pressure: 15-125psi

Approximate shipping weight - 6 lbs
 Warranty - 1 year

Solid heavy duty cast body is specification and commercial quality

Commercial Quality Features

- Quarter turn ceramic valves
- Built-in check valve to prevent cross-flow and back-flow
- Stainless steel swivel gooseneck spout
- ADA-compliant lever handles
- Leak proof double O-ring spout design
- Gaskets and seals rated to 180°F

SPECIFICATIONS:

4" OC Deck Mount Faucet to be Encore TLL57-410x-SE1 Series in the following configuration:

- _____ TLL57-4100-SE1 3" Spout
- _____ TLL57-4101-SE1 8" Spout
- _____ TLL57-4102-SE1 6" Spout

Faucet body to be constructed of polished chrome plated brass. Valves to be quarter turn ceramic type. Handles to be lever style. Spout to be stainless steel swivel gooseneck style with leak proof double O-ring seal design. 2.2gpm aerator @ 60psi standard.

Model No.	A	B	C
TLL57-4100-SE1	3-1/2" (89mm)	8-1/2" (215mm)	10-5/8" (271mm)
TLL57-4101-SE1	8-1/8" (207mm)	11-1/2" (293mm)	16-3/4" (425mm)
TLL57-4102-SE1	6" (152mm)	8-1/8" (208mm)	11-5/8" (296mm)

